

TM MA1-1

TECHNICAL MANUAL

for

RUGER®

AC-556®

and

AC-556K®

SELECTIVE FIRE RIFLES

Caliber .223 (5.56 mm)

(For Use with "191—" Serial Number Prefix Models Only)



MANUFACTURER'S CATALOG NUMBERS:

AC-556 (Selective Fire Rifle with Standard Stock)

AC-556K (Selective Fire Rifle with Folding Stock)

STURM, RUGER & COMPANY, Inc.
Government Services Division
Southport, Connecticut 06490
U. S. A.

ALL RUGER FIREARMS ARE DESIGNED AND MANUFACTURED IN RUGER FACTORIES IN THE UNITED STATES OF AMERICA

SECTION I

RUGER AC-556 AND AC-556K

SELECTIVE FIRE RIFLES

GENERAL INFORMATION

AND MECHANICAL CHARACTERISTICS

	Paragraph
Description	1
Ammunition	2
General Data	3

1. DESCRIPTION

a. The Ruger AC-556 and AC-556K models are gas-operated, box magazine fed, selective fire rifles with a selector control for semi-automatic, 3-shot burst and full automatic firing capabilities. They are specifically designed for the .223 (5.56mm) caliber U.S. Military and commercial cartridges.

b. The AC-556 and AC-556K mechanism is composed of relatively few, rugged components. The breech and firing mechanism are held to minimum size and weight by efficient use of hardened chrome-molybdenum steel. Music wire coil springs are used throughout the mechanism to ensure reliability.

c. The gas system is a fixed-piston, self cleaning design. Unburned powder particles are automatically vented from the system. The firing pin is retracted mechanically during the first part of the firing cycle as the bolt unlocks. The rifle can only be fired when the bolt is locked.

d. The AC-556 and AC-556K selective fire rifles resemble the U.S. Military Garand-type rifles in outward appearance and in several basic mechanical principles. However, both models are much smaller arms and incorporate a number of mechanical differences, therefore the operating and maintenance instructions in this manual should be studied carefully before use.

e. The internal mechanism of the AC-556K selective fire rifle is identical to that of the AC-556 model, with the exception of the barrel length and folding stock arrangement.

f. The serial number is stamped on the forward part of the receiver on the left side.

g. The AC-556 and AC-556K selective fire rifles are supplied with the following standard equipment:

1. A sling assembly consisting of two sliding buckles and a heavy-duty nylon web sling.

2. Staggered column box magazines of 20-round or 30-round capacity.

h. The AC-556 selective fire rifle is equipped with the following accessories:

1. The flash hider fitted to the end of the barrel also functions as a Grenade Launcher and recoil damper. The Grenade Launcher feature has been designed for use with tear-gas and smoke grenades of approved types.

2. The Bayonet Mount is integral with the front sight band and is designed for use with the standard M-7 knife-type U. S. Military bayonet.

TM MA1-1

2

2. AMMUNITION

a. The AC-556 and AC-556K selective fire rifles have been specifically designed for use either with U. S. Military or commercial sporting .223 (5.56mm) caliber ammunition manufactured in accordance with U. S. industry practice.

b. WE SPECIFICALLY DISCLAIM RESPONSIBILITY FOR ANY DAMAGE OR INJURY WHATSOEVER OCCURRING IN CONNECTION WITH, OR AS THE RESULT OF, THE USE IN THE AC-556 OR AC-556K SELECTIVE FIRE RIFLES OF FAULTY, OR NON-STANDARD, OR "REMANUFACTURED", OR HAND-LOADED (RELOADED) AMMUNITION.

c. Do not use ammunition which is dented or contaminated with excess lubricants, dirt or corrosion.

d. WARNING: Use only the correct type cartridge which has been specifically designed for grenade launching. Use of other types of ammunition for grenade launching may cause damage to the rifle and severe injury to the shooter and bystanders.

WARNING AMMUNITION DANGERS

Firearms may be damaged and serious injury to the shooter or other person may result from any condition which contributes to the generation of excessive pressure inside the barrel or chamber of a firearm. Excessive pressure can be caused by *barrel obstructions, propellant powder overloads, or by the use of incorrect or improperly loaded and assembled cartridge components.*

1. A bullet may become lodged in the barrel if (assuming the trigger has been pulled with a live cartridge in the chamber) the cartridge contains no powder, or the powder fails to ignite, and only the primer charge ignites, resulting in insufficient force to propel the bullet out of the barrel.

2. A bullet may become lodged in the barrel if, in unloading an unfired cartridge from the rifle, the cartridge case only is removed, thus leaving the bullet lodged in the bore. This can happen when the bullet is loosely seated in the cartridge case, or when the bullet does not have a cannelure, or when the bullet is not tightly crimped in the cartridge case.

Experience indicates that the two conditions described above occur most frequently when *reloaded ammunition* is used.

When either of the above described (1 or 2) situations occurs, proceed as follows *with the rifle pointing in a safe direction*:

(a) If the rifle is cocked, move the safety to the "ON" position.

(b) Remove the magazine from the rifle.

(c) Retract the slide handle and lock it in the open position by pressing in the bolt lock plunger on the top of the receiver.

(d) Check the chamber to be certain there is no cartridge case in it — if there is, extract it.

(e) Inspect the bore from the muzzle end of the barrel. If the bore is obstructed, insert a proper size cleaning rod (without a tip or brush) into the bore from the muzzle and dislodge and remove the obstruction or bullet. If the obstruction or bullet does not readily dislodge, it may be necessary to tap the handle end of the cleaning rod. If such efforts fail to dislodge the obstruction or bullet, take the rifle to a gunsmith or armorer. **DO NOT ATTEMPT TO REMOVE A LODGED BULLET USING A BLANK CARTRIDGE, A**

CARTRIDGE FROM WHICH THE BULLET HAS BEEN REMOVED, OR BY ANY MEANS OTHER THAN THE USE OF THE PROPER SIZE CLEANING ROD AND REASONABLE FORCE APPLIED TO THE ROD.

(f) Reinspect the bore to be certain it is free of unburned powder particles and any other debris. At the same time, clean the magazine well and other areas of the mechanism of unburned powder grains.

It is absolutely essential that the steps (a) through (e) be followed if there is any suspicion that a bullet or obstruction may be lodged in the bore because of the situations described in 1 or 2 above. Remember that a bullet can be lodged in the bore of a rifle just where the rifling begins, and a live cartridge can still be chambered and the bolt closed and locked. This can occur because the bullet in the chambered cartridge is pushed back into the cartridge case far enough to give the shooter the impression that the loaded cartridge has chambered normally.

Always check the barrel for an obstruction if you experience difficulty in chambering a cartridge, experience a failure to extract, have a misfire, or the rifle does not make a normal loud report on firing.

RELOADERS SHOULD USE ONLY CANNELURED BULLETS AND BE SURE TO CRIMP THEM SECURELY IN THE CARTRIDGE CASE.

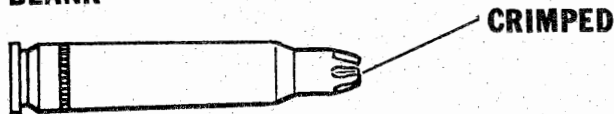
BALL AMMUNITION



TRACER



BLANK



GRENADE LAUNCHER



Figure 1. Ammunition

TM MA1-1

3

3. GENERAL DATA

a. AC-556 selective fire rifle:

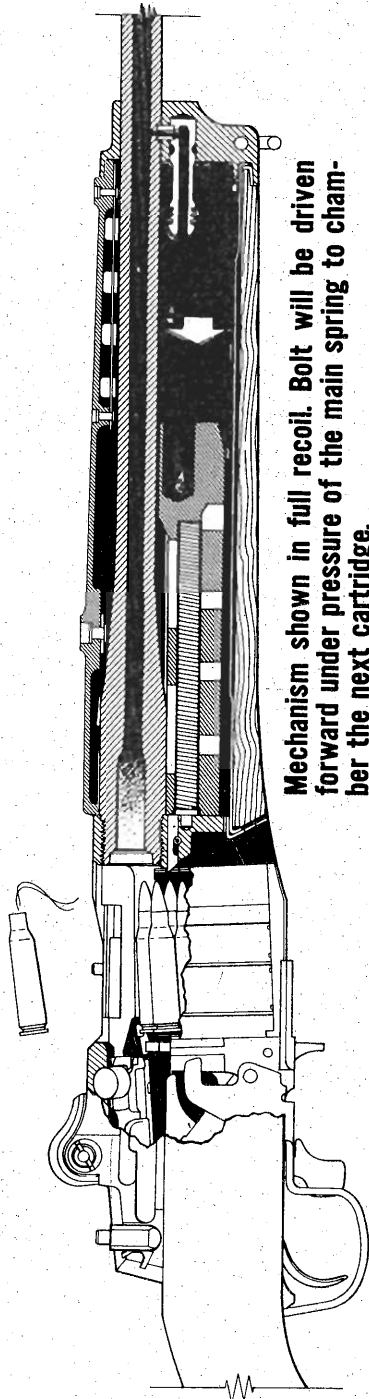
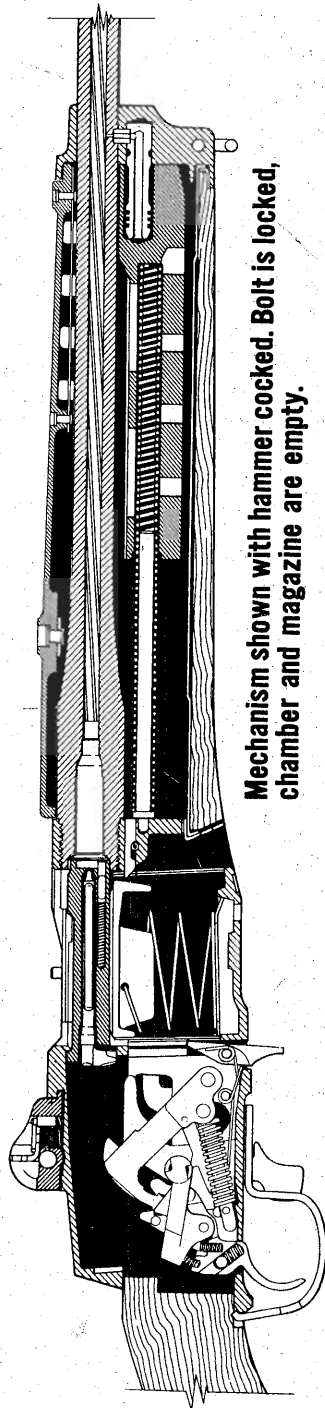
Weight of Basic Rifle (magazine empty)..... Approx. 7.3 Lbs.
Weight of Basic Rifle Loaded (20 rounds)..... Approx. 7.8 Lbs.
Overall Length (with flash hider) 38.75"
Length of Standard Barrel 18.5"
Barrel Rifling—6 Grooves, Right Hand Twist, One Turn in 10"
Sight Graduations (adjustable for
windage & elevation) 1.5 Minute of Angle Adjustments
Mechanism..... Gas Operated-Fixed Piston-Positive Extraction
Feed Detachable Staggered Column Box Magazine
Trigger Pull Approx. 4.5 Lbs.
Selector..... 3 Position: Semi-Automatic, 3-Shot Burst,
or Full Automatic Fire
Cyclic Rate of Fire (Full Automatic) Approx. 700 R.P.M.
Maximum Range Approx. 3000 Yds.
Muzzle Velocity (Approx.)..... 3300 F.P.S.
Muzzle Energy (Approx.) 1330 Ft. Lbs.

b. AC-556K selective fire rifle:

Weight of Basic Rifle (Magazine empty) 7.4 Lbs.
Weight of Basic Rifle Loaded (20 rounds)..... 7.9 Lbs.
Overall Length (Stock Folded) 24" with Flash Hider
Overall Length (Stock Opened) 33.5" with Flash Hider
Length of Standard Barrel 13"
Barrel Rifling—6 Grooves, Right Hand Twist, One Turn in 10"
Sight Graduations (adjustable for
windage & elevation) 1.5 Minute of Angle Adjustments
Mechanism..... Gas Operated-Fixed Piston-Positive Extraction
Feed Detachable Staggered Box Magazine
Trigger Pull Approx. 4.5 Lbs.
Selector..... 3 Position: Semi-Automatic, 3-Shot Burst,
or Full Automatic Fire
Cyclic Rate of Fire (Full Automatic) Approx. 700 R.P.M.
Maximum Range Approx. 3000 Yds.



Figure 2.



CUTAWAY VIEW

Figure 3.

SECTION II

OPERATION OF THE AC-556 AND AC-556K SELECTIVE FIRE RIFLES

Functioning	Paragraph 4
Operation	5

4. FUNCTIONING

a. **SAFETY MECHANISM**—The manual safety mechanism is located forward of the trigger as illustrated in Figure 4. The safety can be moved to its “ON” position only when the hammer is cocked. When the safety is “ON”, it blocks both the hammer and sear. Although the safety mechanism of the AC-556 and AC-556K selective fire rifles is correctly designed and fitted, the user should never depend on it, *or any other mechanical device* to justify careless handling or pointing the rifle in an unsafe direction.

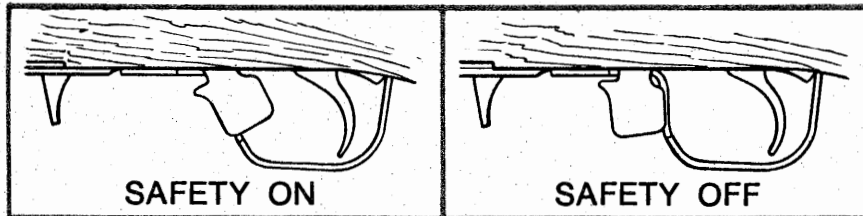


Figure 4. Safety Mechanism

b. **BOLT LOCK MECHANISM**—The AC-556 and AC-556K selective fire rifles are designed so that the bolt remains open after the last shot in the magazine has been fired. When the magazine is empty, the magazine follower activates the bolt lock which is designed to retain the bolt and slide in their rearward position. The bolt lock is not a safety device and should be used only to hold the bolt in its rearward position for cleaning and inspection when the chamber is empty and an empty magazine is in position in the action. The Bolt lock should not be used to hold the bolt back when there are cartridges in the magazine—a slight jar to the butt of the rifle may cause lock to disengage and a loaded round to be chambered.

To release the slide, either:

1. Remove the empty magazine, draw the cocking handle to the rear and release, or:
2. With the magazine in place, draw the cocking handle fully to the rear. Then depress the magazine follower slightly with the thumb and allow the slide to go forward.

To manually engage the bolt lock to keep the bolt open:

1. Pull the cocking handle all the way to the rear.
2. Depress the bolt lock plunger as shown in Figure 5 and allow the slide to move forward until it stops.

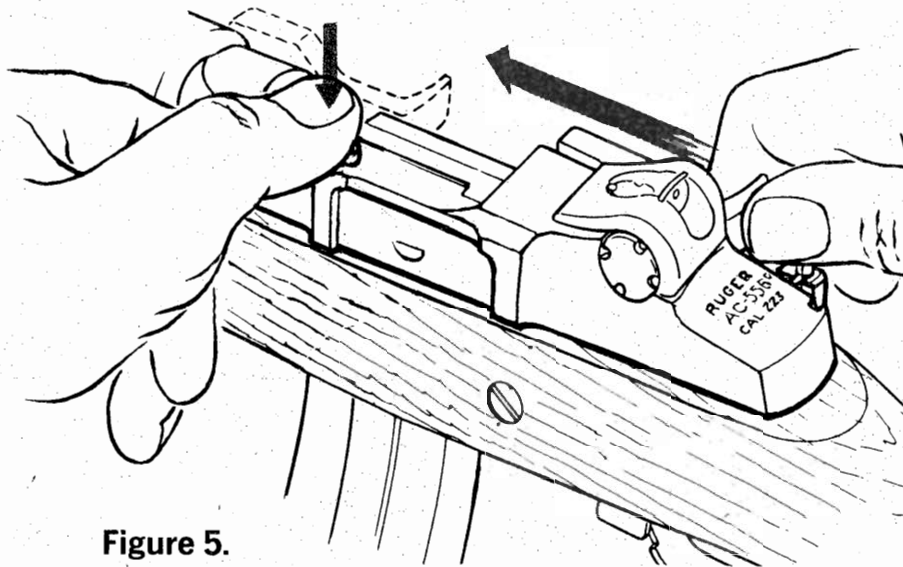


Figure 5.

c. **LOADING THE MAGAZINE**—Use only ammunition of the proper caliber and loading. Use only ammunition which is in good condition and free from oil, grease or dirt. Do not use any “remanufactured” or hand loaded ammunition which appears to be sub-standard.

The magazine is a staggered, double row design. To load the magazine, align each cartridge with the bullet forward (pointing toward the hole in the front of the magazine body) and push downward until the cartridge snaps into place as shown in Figure 6. Do not attempt to load more than the designated number of cartridges for which the magazine has been designed. If feed problems should occur with a fully loaded magazine, load the magazine with one or two cartridges less than its total capacity.

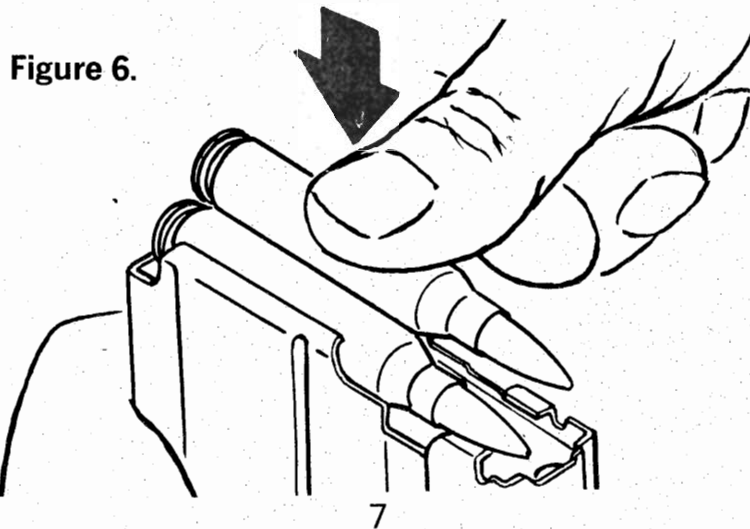


Figure 6.

TM MA1-1

4

Only ball and tracer ammunition will feed normally in series through the magazine. Grenade launching cartridges and blank cartridges should be loaded in the magazine singly and fired one at a time.

d. **UNLOADING THE MAGAZINE** — When emptying the magazine, follow this procedure to avoid damaging the lips of the magazine: Depress the center of the second cartridge in the magazine with the end of a pencil or similar object as shown in Figure 7 and the top cartridge can be dropped out of the magazine. Repeat this procedure until the magazine is empty.

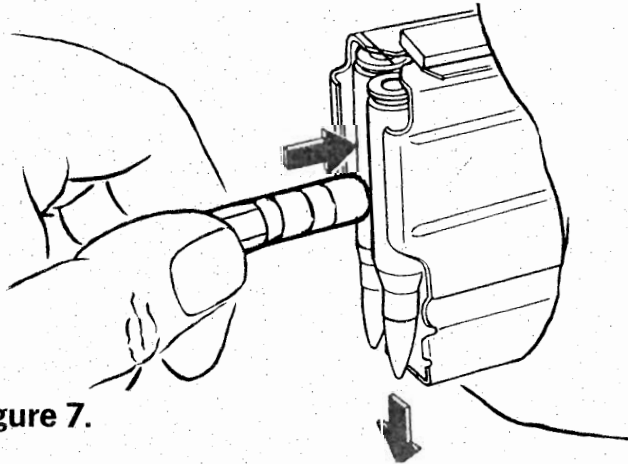


Figure 7.

e. **INSERTING THE MAGAZINE** — See Figure 8. The magazine may be inserted with the bolt in either the closed or open position.

1. Hold the magazine at an angle as shown and insert all the way up into the magazine well.

2. Pull the bottom of the magazine toward the trigger and until the magazine latch at the rear of the magazine well engages. Check to be sure that the magazine is securely latched into place.

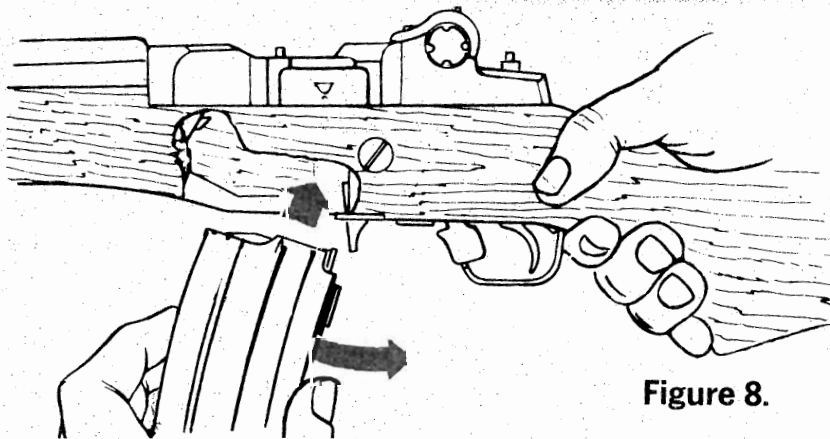


Figure 8.

5. OPERATION

A. Always check the rifle to be sure that it is unloaded before handling, "dry-firing", cleaning, disassembly or storage.

The AC-556 and AC-556K selective fire rifles are tested and inspected prior to shipment. WE ASSUME NO RESPONSIBILITY OR LIABILITY FOR ANY INJURY OR DAMAGES RESULTING FROM ITS INTENTIONAL OR ACCIDENTAL DISCHARGE.

b. TO LOAD AND FIRE, SEMI-AUTOMATIC MODE:

1. Load magazine and insert into rifle.
2. Pull the slide handle all the way to the rear and release it, allowing it to snap forward under spring pressure. A cartridge will be stripped from the magazine and chambered by the forward position of the bolt.

3. *The rifle is now cocked and a loaded cartridge is in the chamber. Unless you are going to fire the rifle at once, immediately push the safety to the "ON" position.*

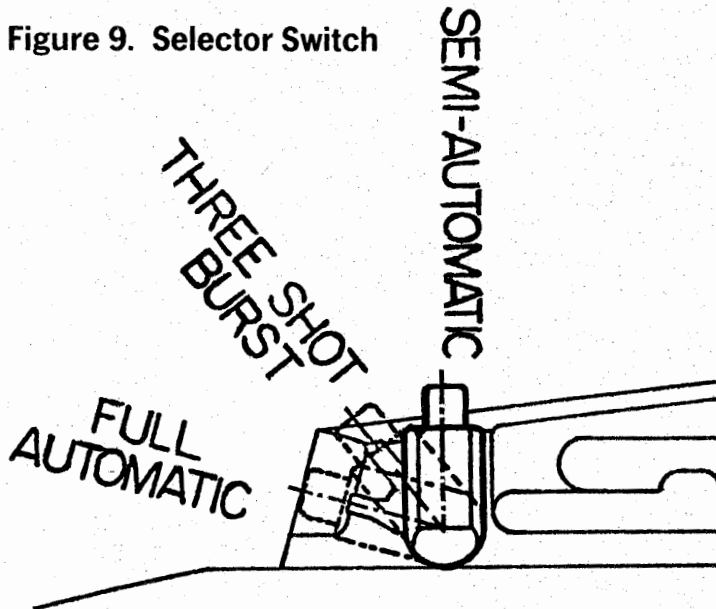
4. When you are ready to fire the rifle, move the safety to the "OFF" position (forward) (See Figure 4).

WARNING: DO NOT TOUCH THE TRIGGER UNTIL YOU ARE ACTUALLY READY TO FIRE.

5. The rifle will fire one shot each time the trigger is pulled when the selector switch is in the Semi-Automatic position (see Figure 9) until the magazine is empty. When the last cartridge in the magazine has been fired, the bolt lock will automatically engage and hold the bolt and slide in the rearward, open position.

6. To unload the rifle, place the safety in its "ON" position (see Figure 4), remove the magazine and pull the slide handle all the way to the rear, extracting and ejecting the cartridge in the chamber.

Figure 9. Selector Switch



c. TO LOAD AND FIRE, 3-SHOT BURST MODE:

1. Load magazine and insert into rifle.
2. Pull the slide handle all the way to the rear and release it as in Step 3 above (semi-automatic fire).
3. Place the safety in the "ON" position.
4. Place the Selector Switch in the 3-Shot Burst Position (see Figure 9).
5. When you are ready to fire the rifle, move the safety to the "OFF" position (forward) (see Figure 4).
6. The rifle will fire 3-shot bursts each time the trigger is pulled and held back. Subsequent 3-shot bursts are fired by releasing the trigger and pulling again.

The initial burst may or may not consist of 3 shots. However, after the first burst, the trigger mechanism will be indexed and timed and 3-shot bursts will be fired with each pull of the trigger.

The 3-shot burst can be interrupted by releasing the trigger early.

7. When the last cartridge in the magazine has been fired, the bolt lock will automatically engage and hold the bolt and slide in the rearward, open position.

8. Place the Safety in its "ON" position (See Figure 4.)

9. Unload the rifle as in Step 7, Semi-Automatic fire.

d. TO LOAD AND FIRE, FULL AUTOMATIC MODE:

1. Load magazine and insert into rifle.
2. Pull the slide handle all the way to the rear and release it as in step 3 above (3-shot burst fire).
3. Place the safety in the "ON" position.
4. Place the selector Switch in the Full Automatic Fire Position (see Figure 9).
5. When you are ready to fire the rifle, move the safety to the "OFF" position (forward) (see Figure 4).
6. The rifle will fire in the full automatic mode each time the trigger is pulled and held back.

The full automatic burst can be interrupted by releasing the trigger.

7. When the last cartridge in the magazine has been fired, the bolt lock will automatically engage and hold the bolt and slide in the rearward, open position.

8. Place the Safety in its "ON" position (See Figure 4.)

9. Unload the rifle as in step 7, Semi-Automatic Fire.

WARNING

Sustained firing can create excessive heat in the barrel and chamber and can cause *cook-off* of ammunition (heat-firing of the cartridges). To avoid this danger, allow time for the rifle to cool between bursts. Use caution in handling the rifle after sustained semi-automatic, 3-shot bursts and particularly full-automatic firing. The heat generated in the barrel and areas adjacent to the breech can cause painful burns.

SELECTOR WARNING

Always check to be sure that the Selector Switch is placed and locked in the desired cycle position before firing.

DANGER BARREL OBSTRUCTIONS

Before loading or shooting the AC-556 or AC-556K selective fire rifles, always check to be sure that the barrel is clear and the bore unobstructed. *Firing the rifle with any obstruction in the barrel may result in severe damage to the rifle and serious injury to the shooter and other persons nearby.*

Rifles like the AC-556 and AC-556K which are chambered for small caliber, high velocity cartridges, are particularly susceptible to damage from firing when the bore is obstructed. Excess oil, grease or cosmoline, or condensation of water or raindrops may form an obstruction which could cause damage and injury. If you suspect that your rifle may possibly have excess oil, grease or cosmoline in the barrel, or if it may have been exposed to humid conditions which could cause condensation, or to rain or snow which might have entered the bore, open the bolt and clean out the barrel. Inspect the bore visually to be sure that it is perfectly clear.

WARNING

When firing the AC-556 or AC-556K selective fire rifles, be sure that other shooters and bystanders are well clear of the shooter and standing a safe distance to the rear. Empty cartridge cases are ejected from the AC-556 and AC-556K actions upward and to the right with some velocity and could cause injury to any person who is standing too closely alongside the shooter. Left-handed shooters should be particularly cautious concerning ejected cartridge cases.

Adequate vision protection when shooting is essential. We recommend that both shooters and spectators wear protective shooting glasses when firing. In addition, some proper form of hearing protectors should be worn. Repeated exposure to shooting noise can damage hearing permanently.

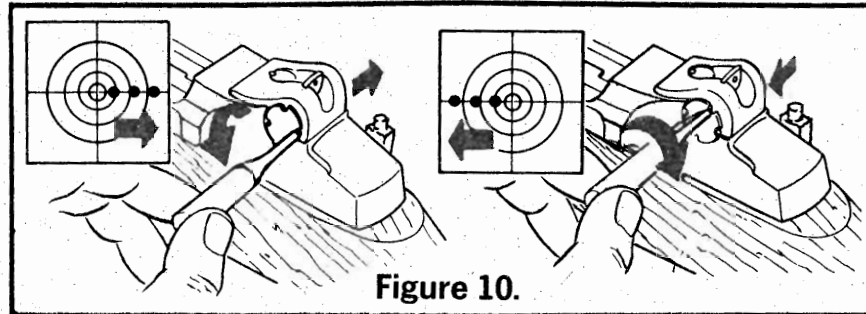
e. SIGHT ADJUSTMENT—The .223 (5.56mm) cartridge used in the AC-556 and AC-556K selective fire rifles has a very high velocity and flat trajectory. Generally, if the rifle is sighted in to hit the point of aim at a distance of 250 yards, no change in point of aim or sight adjustment is needed to keep all shots within a 9" circle at all ranges from 0 to 300 yards.

The rear sight is adjustable for both windage and elevation. A small punch, the head of a finishing nail, or other similar instrument can be used to depress the lock plunger to allow the adjustment to be moved one quarter turn in either direction. One quarter turn will move the point of impact 1.5" at 100 yards. The sight adjustments have been made deliberately positive by means of spring-loaded detent plungers so that settings cannot be accidentally disturbed under normal conditions.

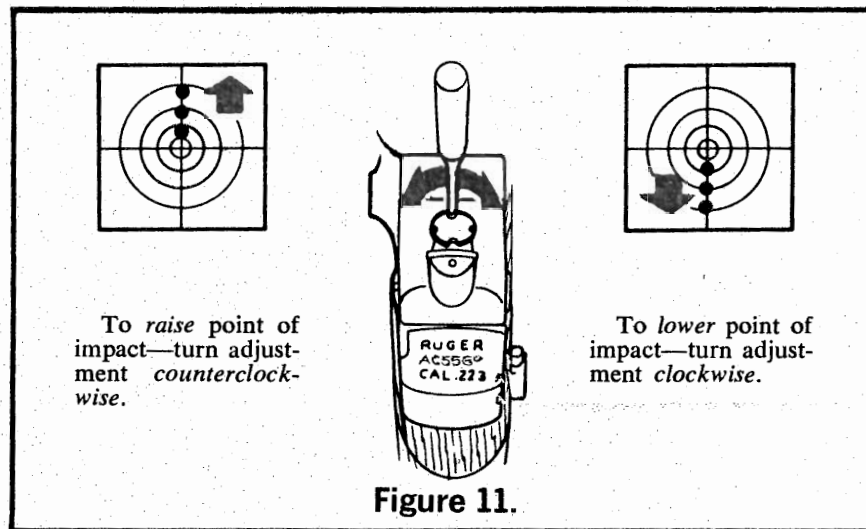
TM MA1-1

5

1. WINDAGE ADJUSTMENT—To move the point of impact to the *right*, turn the adjustment *counterclockwise*. To move the point of impact to the *left*, turn the adjustment *clockwise*. (See Figure 10).



2. ELEVATION ADJUSTMENT—To *raise* the point of impact, turn the adjustment *counterclockwise*. To *lower* the point of impact, turn the adjustment *clockwise*. (See Figure 11).



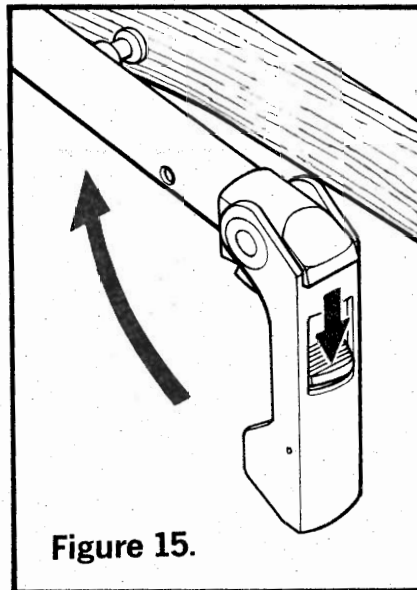
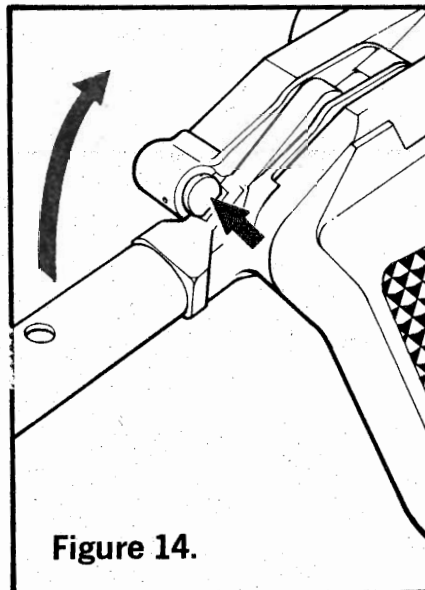
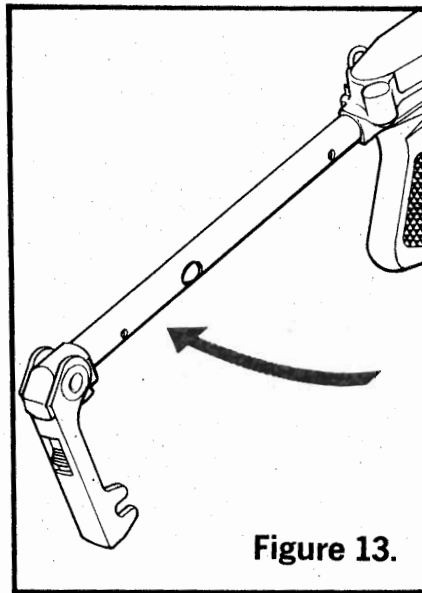
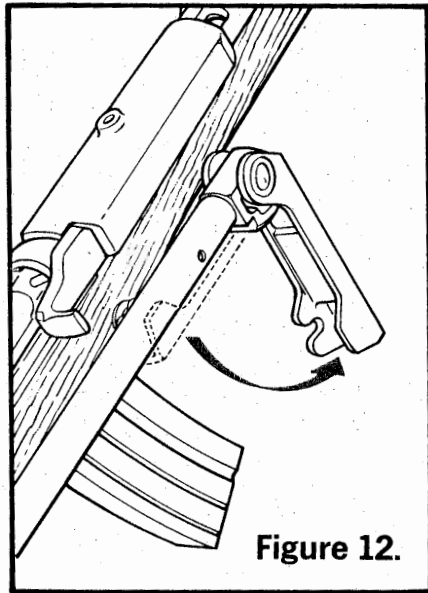
f. OPERATION OF THE FOLDING STOCK ASSEMBLY (AC-556K)—The AC-556K selective fire rifle is normally carried and stored with the folding stock assembly folded. The rifle can be fired effectively with the folding stock assembly in either position. To open the folded stock assembly, proceed as follows:

1. Swing the Butt Plate downward until it latches in its open position (See Figure 12).

2. Swing the Stock Tube Assembly to the rear until it locks in its opened position (See Figure 13).

To close the folding stock, proceed as follows:

1. Press upward on the Hinge Latch as shown in Figure 14 and swing the Stock Tube Assembly forward.
2. Press downward on the Butt Plate Latch and swing Butt Plate upward so that it latches over the Catch Stud which protrudes from the side of the wooden stock as shown in Figure 15.



SECTION III FIELD STRIPPING AND REASSEMBLY

Field Stripping and Reassembly Paragraph
6

6. FIELD STRIPPING AND REASSEMBLY

a. The AC-556 and AC-556K selective fire rifles can be Quickly field stripped to their basic subassemblies. Reassembly is simple and rapid. No special tools are required to accomplish field stripping—a ¼" diameter steel rod, screwdriver shank, punch, or similar instrument can be used to unlatch the spring steel trigger guard.

b. **WARNING:** Do not use a cartridge to unlatch the trigger guard because of the danger of loosening the bullet in the cartridge case (see "Warnings" in "Ammunition" Section 2).

c. A careful study of the simple illustrated instructions which follow will allow the shooter to disassemble and reassemble the rifle for cleaning and maintenance quickly and easily. Disassembly and reassembly procedures for the AC-556 and AC-556K models are identical.

d. **FIELD STRIPPING**—To field strip the rifle to its basic subassemblies, proceed as follows:

1. **BEFORE FIELD STRIPPING, ALWAYS CHECK TO BE SURE THAT THE RIFLE IS UNLOADED.**
2. Remove the magazine (Figure 16).
3. Pull the slide handle all the way to the rear and release. Put safety "ON" (Figure 17). **NOTE:** Hammer must be cocked and safety must be "ON" to accomplish disassembly and reassembly.
4. Place Selector Switch in Semi-Automatic Fire Position.
5. Use a ¼" diameter steel rod, punch, screwdriver shank, or other suitable instrument to spring open the trigger guard from its latched position (Figure 18).
6. Remove trigger group (Figure 19).
7. Remove barrel/receiver assembly from stock (Figure 20).
8. Remove recoil spring guide and recoil spring (Figures 21A and 21B).

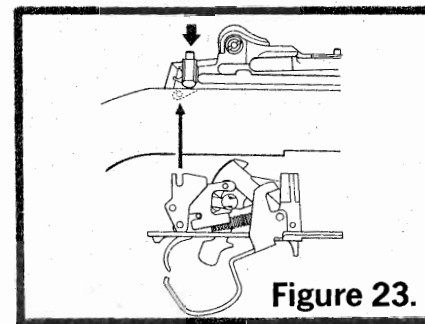
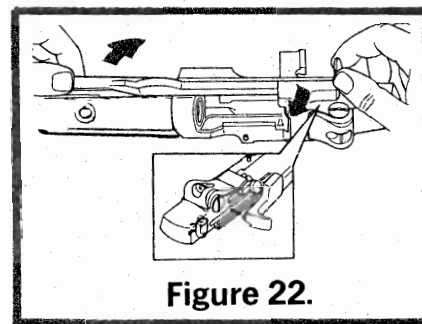
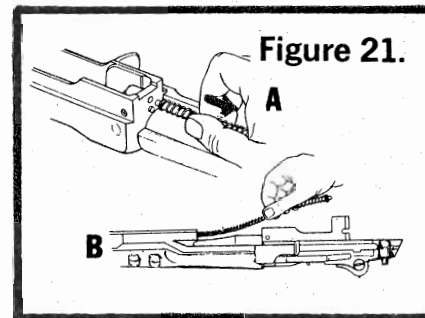
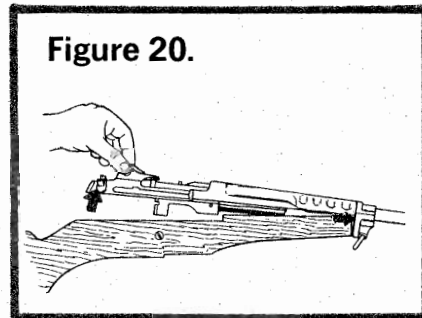
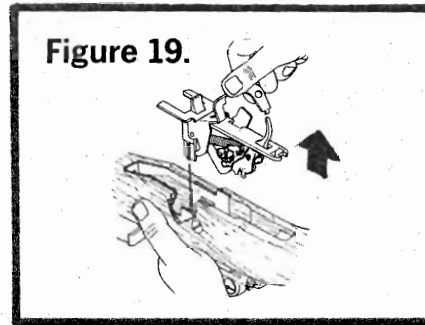
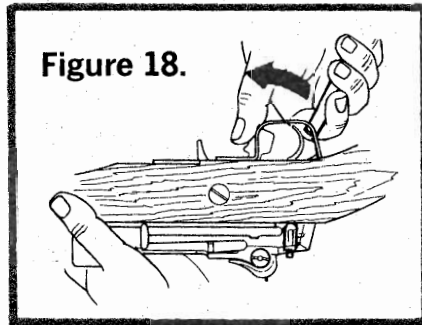
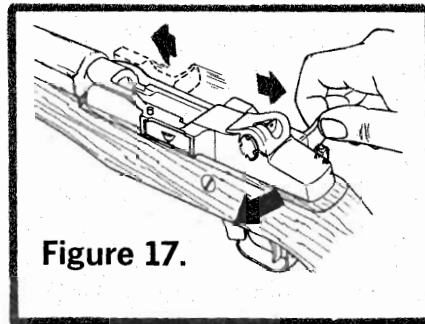
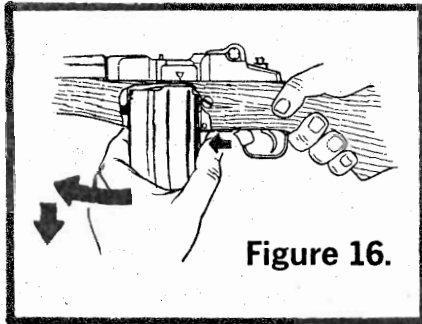
CAUTION: *The recoil spring is heavily compressed—use care when disassembling and reassembling to prevent the recoil spring guide and spring assembly from escaping forcibly and possibly causing injury.*

9. Pull slide handle to the rear. Align locking projections on slide with disassembly notch on receiver. Remove slide (Figure 22).

10. Pull the bolt forward until it can be pivoted out of receiver. Align firing pin projection with slot in lower receiver bridge and remove bolt from receiver

Further disassembly of the rifle is not required for normal cleaning purposes and should only be performed by a gunsmith or armorer.

e. **REASSEMBLY**—Reassembly of the AC-556 and AC-556K selective fire rifles is accomplished in reverse order to the above. **NOTE:** The hammer must be cocked, the safety must be in its "ON" position, and the Selector Switch must be in the Semi-Automatic Fire position before attempting reassembly. The Link Positioner Assembly and Selector Arm must be positioned as shown in Figure 23 before reassembly. If these parts are not properly positioned, the trigger mechanism cannot be properly reassembled to the frame.



SECTION IV CLEANING AND MAINTENANCE

Cleaning and Maintenance Paragraph 7

7. CLEANING AND MAINTENANCE

a. A clean, properly lubricated and maintained weapon loaded with clean ammunition will fire reliably when it is needed. In order to keep the AC-556 and AC-556K selective fire rifles (or any other issue firearm) and ammunition in good condition, they must have regular care and cleaning. Under bad weather conditions, operating parts of the arm and the ammunition may need care and cleaning more frequently.

b. The rifle should always be thoroughly cleaned and lubricated after firing. Careful attention to the following instructions will ensure that your rifle is ready for use when needed.

c. The proper cleaning equipment is shown in Figure 24.

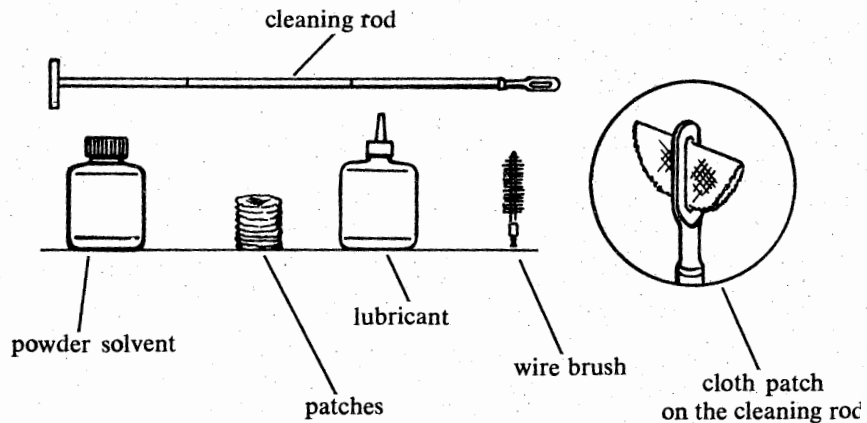


Figure 24. Cleaning Equipment

d. To clean the rifle after firing, proceed as follows:

1. Unload and field strip the rifle.

2. Insert a clean cloth patch which has been soaked in powder solvent into the muzzle with the cleaning rod. Move the patch forward and back several strokes of the cleaning rod. A .22 Caliber brass or bronze wire brush attached to the cleaning rod should then be pushed completely through the bore and back several times. Again swab the bore with a solvent soaked patch. Then wipe the cleaning rod clean and, using a clean, dry patch, thoroughly swab the bore until it is clean. Examine the bore visually to be sure that no fouling remains. (See Figure 25)

WARNING: Do not attempt to remove fouling or lead from the barrel with mercury. Mercury is a deadly poison.

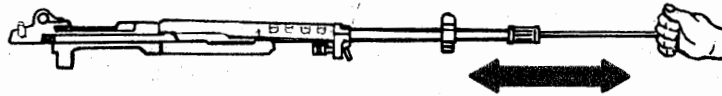


Figure 25.

3. Using powder solvent on a clean patch, remove powder residue from all components of the mechanism, including the gas piston and gas chamber in the front end of the slide, and the inside steel liner of the forearm. Dry and lightly lubricate all the parts noted above (see Figure 26).

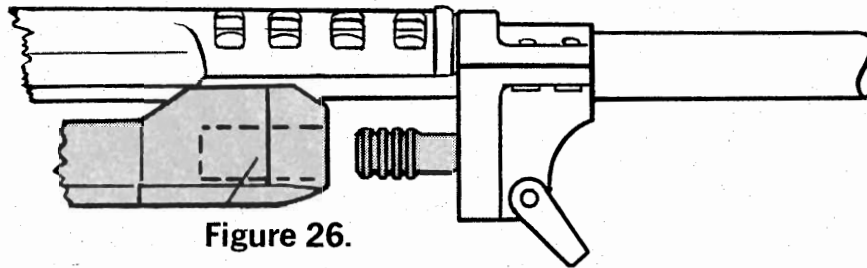


Figure 26.

4. Carefully clean the bolt and the bolt face with powder solvent. Dry and lubricate lightly. (see Figure 27).



Figure 27.

5. Apply a small drop of lubricant to all pivot points in the trigger mechanism. Do not apply excess lubrication.

NOTE: Only a very small amount of lubricant is needed to provide adequate lubrication of moving parts and to prevent rust. Accumulations of lubricant tend to attract particles of dust and dirt which can interfere with the safe and reliable function of the mechanism of any firearm.

The exterior of the rifle should be wiped with a lubricant coated cloth whenever it is to be stored in order to protect the finish from rusting. Swab the bore lightly with a lubricant moistened patch before storing the rifle. *Do not apply excess lubricant.*

WARNING: If the rifle has been stored, *before firing* remove all lubricant and grease from the bore with clean, dry patches on the cleaning rod. *Do not* keep the rifle in a leather scabbard or case when it is stored. Leather attracts moisture, even though the scabbard or case may appear to be perfectly dry.

7. Periodically disassemble, clean and lightly lubricate the magazine. If the magazine is dented or if the magazine feed lips are deformed, failures to feed may occur. Refer damaged magazines to an armorer for inspection.

8. Periodically, all components of the rifle should be carefully inspected and damaged or missing parts brought to the attention of an armorer for correction or replacement.

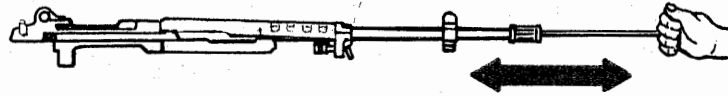


Figure 25.

3. Using powder solvent on a clean patch, remove powder residue from all components of the mechanism, including the gas piston and gas chamber in the front end of the slide, and the inside steel liner of the forearm. Dry and lightly lubricate all the parts noted above (see Figure 26).

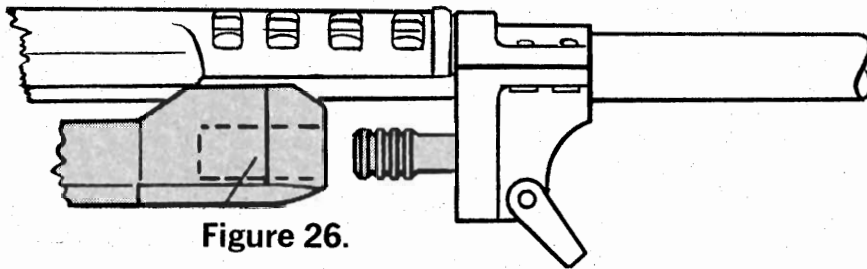


Figure 26.

4. Carefully clean the bolt and the bolt face with powder solvent. Dry and lubricate lightly. (see Figure 27).



Figure 27.

5. Apply a small drop of lubricant to all pivot points in the trigger mechanism. Do not apply excess lubrication.

NOTE: Only a very small amount of lubricant is needed to provide adequate lubrication of moving parts and to prevent rust. Accumulations of lubricant tend to attract particles of dust and dirt which can interfere with the safe and reliable function of the mechanism of any firearm.

The exterior of the rifle should be wiped with a lubricant coated cloth whenever it is to be stored in order to protect the finish from rusting. Swab the bore lightly with a lubricant moistened patch before storing the rifle. *Do not apply excess lubricant.*

WARNING: If the rifle has been stored, *before firing* remove all lubricant and grease from the bore with clean, dry patches on the cleaning rod. *Do not* keep the rifle in a leather scabbard or case when it is stored. Leather attracts moisture, even though the scabbard or case may appear to be perfectly dry.

7. Periodically disassemble, clean and lightly lubricate the magazine. If the magazine is dented or if the magazine feed lips are deformed, failures to feed may occur. Refer damaged magazines to an armorer for inspection.

8. Periodically, all components of the rifle should be carefully inspected and damaged or missing parts brought to the attention of an armorer for correction or replacement.

**SECTION V
SERVICE POLICY**

Service Policy	Paragraph 8
Parts Nomenclature	9

8. SERVICE POLICY

a. Before shipment, every Ruger firearm is inspected and test-fired to insure that it conforms fully to our specifications and standards. If you have any questions with regard to the performance of the AC-556 or AC-556K selective fire rifles, please write to our Government Services Division, fully describing all circumstances and conditions involved.

b. If you should return your rifle to the factory for repair, or order parts for it, please comply with the following suggestions for prompt service:

1. PARTS: All parts orders should be made by Official Department Purchase Order sent to:

Sturm, Ruger & Company, Inc.
Government Services Division
Lacey Place
Southport, Connecticut 06490

2. Please send payment with orders for parts. Because of handling costs, we cannot accept parts orders for amounts less than \$1.00.

3. Order parts by *name* and *part number*, and include the *entire serial number* of the rifle for which you are ordering parts. **IMPORTANT: IF THE ENTIRE SERIAL NUMBER IS NOT GIVEN, PARTS SUPPLIED MAY NOT BE CORRECT.**

4. Barrels, bolt assemblies and gas system parts must be fitted at the factory. Company policy is to proof-test and/or function fire all barrels after fitting to the receivers in which they are to be used. This procedure ensures maximum protection to our customers. The special proof-test ammunition used in this testing is sold only to bonafide manufacturers and is not available to gun shops, gunsmiths or individuals.

5. The receiver is defined as a "machine gun" (fully automatic weapon) by Federal Law and is not offered for sale as a component part.

WARNING TO PARTS PURCHASERS

It is the purchaser's responsibility to be absolutely certain that any parts ordered from the factory are correctly fitted and installed by a competent person. Firearms are complicated mechanisms and IMPROPER FITTING OF PARTS MAY RESULT IN A DANGEROUS MALFUNCTION, DAMAGE TO THE FIREARM AND POSSIBLE INJURY TO THE SHOOTER AND BYSTANDERS. The purchaser and installer of parts must accept full responsibility for the correct adjustment and function of the rifle after such installation has been completed.

6. FIREARMS: AC-556 and AC-556K selective fire rifles returned to the factory for repair should be sent to:

Sturm, Ruger & Company, Inc.
Product Service Department
Newport, New Hampshire 03773

7. Rifles shipped to the factory should be sent prepaid. *We will not accept collect shipments.*

8. Before returning AC-556 or AC-556K selective fire rifles to the factory, you must apply for U. S. Treasury Department approval. The original copy of this approval document must accompany the firearm being returned for repair.

NOTE: On the approval form, please indicate that the firearm is being returned for repair.

WARNING: Be certain that the firearm you ship to us for repair is not loaded and that no loaded magazine is included.

9. For best repair service, always enclose a letter furnishing the *entire serial number and model* of the firearm in question. Also, state the exact nature of the trouble you have experienced, or the specific work which you wish to have done. Merely stating that the rifle is "defective", or that it needs some "repair" is inadequate information — we need to know specifically what is wrong. Please be sure to enclose copies of any previous correspondence.

10. Work performed will bear a net *minimum* labor charge of \$5.00. The charge for rebluing the AC-556 or AC-556K selective fire rifles is \$20.00 which includes labor.

11. Please do not ship your carrying case, rifle scabbard, leather sling, mounts or scope with any rifle being shipped to the factory for repair.

Prices and specifications subject to change at our discretion without notice.

PARTS NOMENCLATURE

9. PARTS NOMENCLATURE

a. The following is a list of the various part numbers and nomenclature for component parts for both the AC-556 and AC-556K selective fire rifles.

b. Current Price Sheets containing suggested list prices for component parts for AC-556 and AC-556K selective fire rifles are available to official Government and Law-Enforcement agencies on request.

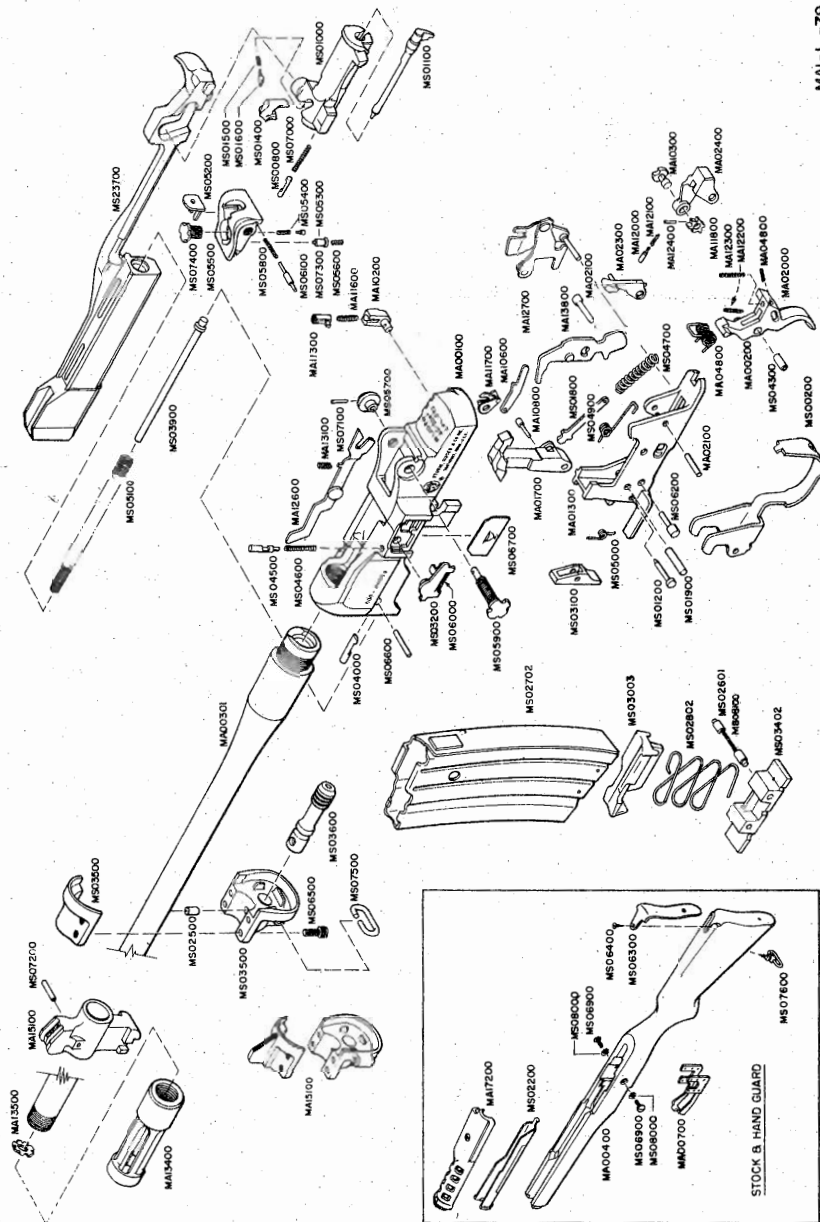
c. Parts marked (*) must be installed at the factory (plus \$5.00 *minimum* net labor charge).

AC-556 Part Number	AC-556K Part Number	Description
MA00100	MA00100	Receiver (not offered)
MS00200	MS00200	Trigger Guard
MA00301	MA00303	*Barrel
MA00400	MA14600	Stock
MA00700	MA00700	Stock Reinforcement
MS00800	MS00800	Ejector
MS01000	MS01000	*Bolt
MS01100	MS01100	*Firing Pin
MS01200	MS01200	Magazine Latch Pivot Pin
MA01300	MA01300	*Trigger Housing
MS01400	MA01400	*Extractor
MS01500	MS01500	Extractor Spring

AC-556 Part Number	AC-556K Part Number	Description
MS01600	MS01600	Extractor Plunger
MA01700	MA01700	*Hammer
MS01800	MS01800	Hammer Strut
MS01900	MS01900	Hammer Pivot
MA02000	MA02000	*Trigger
MA02100	MA02100	Trigger Pivot Pin
MS02200	MS02200	Forearm Liner & Cap Assembly
MA02300	MA02300	*Secondary Sear
MA02400	MA02400	*Interrupter Arm
MS02500	MS02500	Gas Port Bushing
MS02601	MS02601	Magazine Bottom Retainer (20-shot)
MS02702	MS02702	Magazine, 20-Shot, Complete (not shown)
MS02703	MS02703	Magazine, 30-Shot, Complete (not shown)
MS02802	MS02802	Magazine Spring (20-Shot)
MS02803	MS02803	Magazine Spring (30-Shot)
MS03003	MS03003	Magazine Follower (20 & 20-Shot)
MS03100	MS03100	Magazine Latch
MS03200	MS03200	Bolt Lock Assembly
MS03402	MS03402	Magazine Bottom (20-Shot)
MS03403	MS03403	Magazine Floor Plate (30-Shot)
MS03500	MS03502	Gas Block, Top & Bottom
MS03600	MS03600	Piston
MS23700	MS23700	*Slide Assembly
MA13800	MA13800	*Safety
MS03900	MS03900	Guide Rod
MS04000	MS04000	Front Magazine Catch
MS04300	MS04300	Trigger Bushing
MS04400	—	*Front Sight (AC-556)
MS04500	MS04500	Bolt Lock Plunger
MS04600	MS04600	Bolt Lock Plunger Spring
MS04700	MS04700	Hammer Spring
MA04800	MA04800	Trigger Spring
MS04900	MS04900	Safety Detent Spring
MS05000	MS05000	Magazine Latch Spring
MS05100	MS05100	Recoil Spring (Slide Spring)
MS05200	MS05200	Rear Sight Peep
MS05300	MS05300	Rear Sight Elevator Plunger
MS05400	MS05400	Rear Sight Elevator Plunger Spring
MS05500	MS05500	Rear Sight Base
MS05600	MS05600	Rear Sight Elevation Detent Spring
MS05700	MS05700	Rear Sight Nut
MS05800	MS05800	Rear Sight Windage Detent Spring
MS05900	MS05900	Rear Sight Windage Screw
MS06100	MS06100	Rear Sight Windage Detent Plunger
MS06200	MS06200	Safety Spring Retaining Pin
MS06300	—	Butt Plate
MS06400	—	Butt Plate Screw (2 Req'd.)
MS06500	MS06500	Gas Block Screw (4 Req'd.)
MS06600	MS06600	Front Magazine Latch Retaining Pin
MS06700	MS06700	Bolt Lock Cover Plate
MS06900	MS06900	Stock Reinforcement Screws (2 Req'd.)
MS07000	MS07000	Ejector Spring

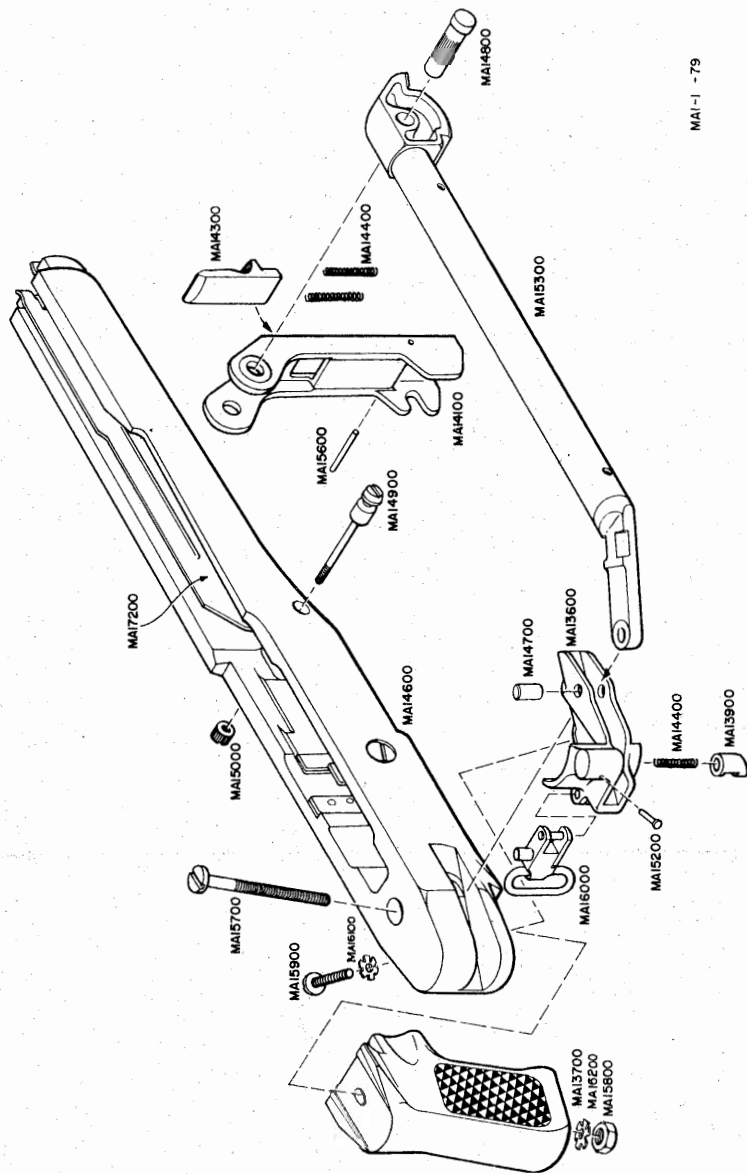
MS07100	MS07100	Rear Sight Windage Screw Cross Pin
MS07200	—	Front Sight Cross Pin
MS07300	MS07300	Rear Sight Elevation Detent Plunger
MS07400	MS07400	Rear Sight Elevation Screw
MS07600	—	Rear Sling Swivel Assembly (B-120)
MS08000	MS08000	Stock Reinforcement Screw Lock Washers (2 Req'd.)
MS08100	MS08100	Magazine Bottom Detent Spring (20-Shot)
MS07500	MA08502	Front Sling Swivel
MA10200	MA10200	Selector Housing
MA10300	MA10300	*Interrupter
MA10600	MA10600	*Indexing Pawl
MA10800	MA10800	Indexing Pawl Pivot
MA11300	MA11300	Selector Button
MA11600	MA11600	Selector Button Spring
MA11700	MA11700	Selector Arm Assembly
MA11800	MA11800	*Indexing Ratchet
MA12000	MA12000	Interrupter Detent Plunger
MA12100	MA12100	Interrupter Detent Plunger Spring
MA12200	MA12200	Secondary Sear Spring
MA12300	MA12300	Interrupter Arm Spring (C-24)
MA12400	MA12400	*Interrupter Ratchet Assembly Pin & Front Sling Swivel Retaining Pin
MA12600	MA12600	Rocker Arm Assembly
MA12700	MA12700	*Link Positioner Assembly
MA13000	MA13000	Automatic Trigger Assembly
MA13100	MA13100	Rocker Arm Spring (A-204)
MA13200	MA13203	Sling Assembly
MA13400	MA13400	Flash Suppressor
MA13500	MA13500	Flash Suppressor Lock Washer
—	MA13600	Hinge Housing
—	MA13700	Pistol Grip
—	MA13900	Hinge Latch
—	MA14100	Butt Plate
—	MA14300	Butt Plate Latch
—	MA14400	Butt Plate Latch & Hinge Latch Spring (3 Req'd.)
—	MA14700	Hinge Pin
—	MA14800	Butt Plate Hinge Pin
—	MA14900	Catch Stud
—	MA15000	Catch Stud Nut
—	MA15100	Front Sight (AC-556K)
—	MA15200	Hinge Latch Retaining Pin
—	MA15300	Stock Tube Assembly
—	MA15600	Butt Plate Catch Spring Retaining Pin
—	MA15700	Pistol Grip Screw
—	MA15800	Pistol Grip Nut
—	MA15900	Hinge Housing Screw
—	MA16000	Rear Sling Swivel
—	MA16100	Hinge Housing Screw Lock Washer
—	MA16200	Pistol Grip Screw Lock Washer
MA17200	MA17200	Hand Guard & Liner Assembly
MS08400	MS08400	Magazine Stipper Clip (not shown)

Prices and specifications subject to change at our discretion without notice.



MAI-1 -79

Figure 28. RUGER AC-556 SELECTIVE FIRE RIFLE



MA1-1 -79

**Figure 29. RUGER AC-556K SELECTIVE FIRE RIFLE
Folding Stock Assembly**

A COPY OF THE INSTRUCTION MANUAL FOR EACH MODEL RUGER FIREARM
IS AVAILABLE FROM THE FACTORY ON REQUEST.
THESE INSTRUCTION MANUALS CONTAIN IMPORTANT WARNINGS
WHICH SHOULD BE UNDERSTOOD BEFORE USING THESE FIREARMS.
THIS INSTRUCTION MANUAL SHOULD ALWAYS ACCOMPANY THIS FIREARM
AND BE TRANSFERRED WITH IT UPON CHANGE OF OWNERSHIP.



STURM, RUGER & COMPANY, Inc.
Government Services Division
Southport, Connecticut 06490
U. S. A.

ALL RUGER FIREARMS ARE DESIGNED AND MANUFACTURED IN RUGER FACTORIES IN THE UNITED STATES OF AMERICA

*The Ruger AC-556 and AC-556K selective fire weapons are available only to Government and Law-Enforcement agencies.

RUGER, MINI-14, and AC-556 are registered U.S. trademarks

Entire contents copyright 1979 by Sturm, Ruger & Company, Inc.

