

C.I.P.

308 Win.

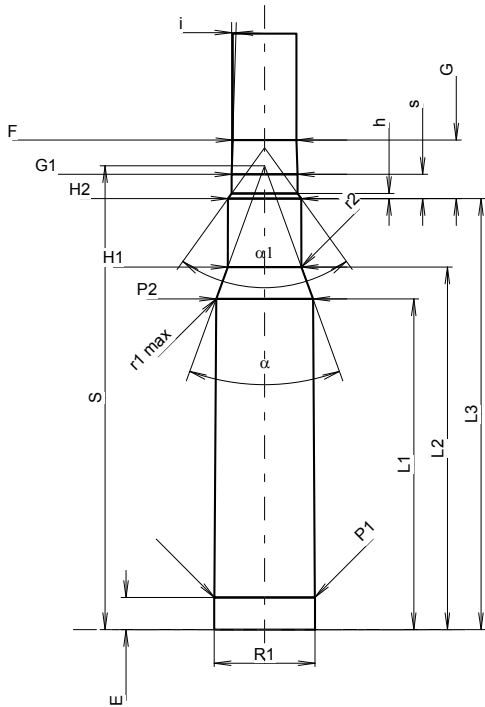
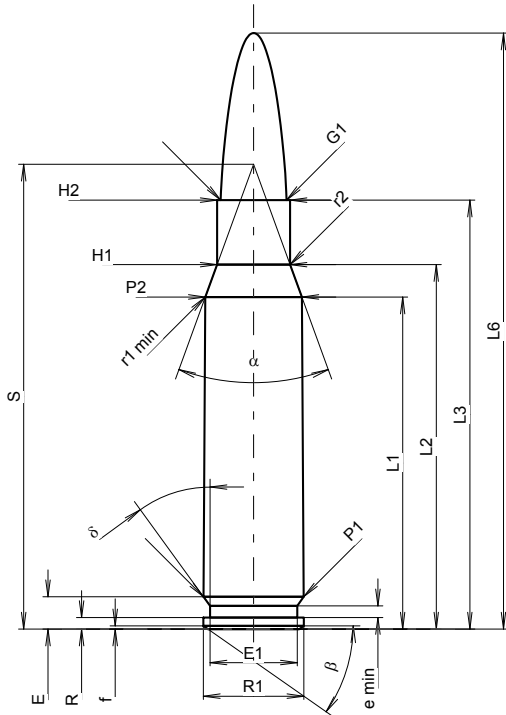
Country of Origin: US

TAB. I

Date 84-06-14

Revision 08-09-23

Alternative Names: 308 Winchester, 7,62 x 51



Scale 1.11:1

Dimensions in << mm >>
Dimensions and Tolerances for Proof Barrels
see Appendix CR 1.

CARTRIDGE MAXI

Lengths

L1 ¹⁾	=	39.62	-0.20
L2 ¹⁾	=	43.48	-0.20
L3 ¹⁾	=	51.18	
L4	=		
L5	=		
L6	=	71.12	

Case Head

R	=	1.37	
R1	=	12.01	
R3	=		
E	=	3.85	
E1	=	10.39	
e min	=	1.40	
delta	=	36°	
f	=	0.38	
beta	=	35°	

Powder Chamber

P1	=	11.96	
P2 ¹⁾ *	=	11.53	-0.20

Junction Cone

alpha [*]	=	40°	
S [*]	=	55.46	
r1 min	=	0.76	
r2	=	3.18	

Collar

H1 [*]	=	8.72	
H2 ¹⁾	=	8.72	

Projectile

G1 ¹⁾	=	7.85	
G2	=		
F	=		
L3+G ¹⁾	=	58.16	

Pressures (Energies)

Method Transducer

Pmax	=	4150 bar	
PK	=	4773 bar	
PE	=	5190 bar	
M	=	25.00	
EE	=	3920 Joule	

Miscellaneous Dimensions

Fe ¹⁾³⁾	=	0.10	
delta L	=	0.10	

CHAMBER MINI

Lengths

L1	=	39.48	
L2	=	43.28	
L3 ¹⁾	=	51.44	

Breech

R	=		
R1	=	12.03	
R2	=		
R3	=		
r	=		

Powder Chamber

E	=	3.85	
P1 ¹⁾	=	11.99	
P2 [*]	=	11.56	

Junction Cone

alpha ¹⁾ *	=	40°	
S [*]	=	55.36	
r1 max	=	0.76	
r2	=	3.68	

Collar

H1 [*]	=	8.79	
H2 ¹⁾	=	8.74	

Commencement of Rifling

G1 ¹⁾ *	=	7.87	
G ¹⁾	=	6.98	
alpha 1 [*]	=	71°25'59"	
h	=	0.60	
s	=	2.89	
i ¹⁾ *	=	1°45'	
w	=		

Barrel

F ¹⁾ *	=	7.62	
Z ¹⁾	=	7.82	

Grooves

b	=	4.47	
N	=	4	
u	=	305.00	
Q	=	47.51	mm ²

Notes: 1) Check for safety reasons
3) Headspace on Shoulder
* Basic dimensions