

C.I.P.

9 mm Luger

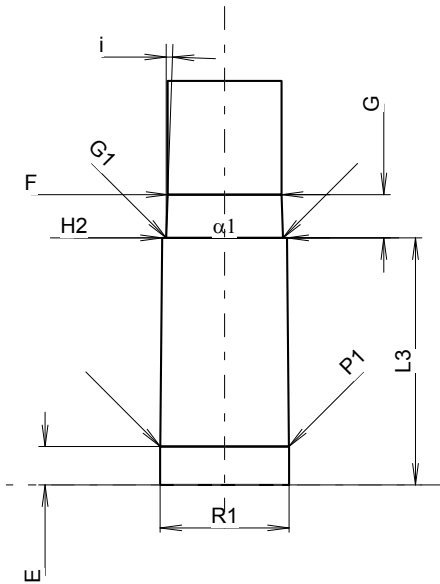
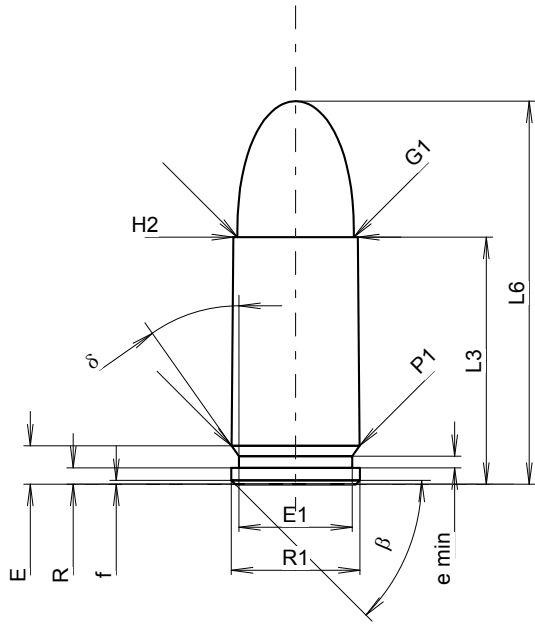
Country of Origin: DE

TAB. IV

Date 84-06-14

Revision 08-09-23

Alternative Names: 9 mm Para(bellum), 9 x 19 (mm)



Scale 1.71:1

Dimensions in << mm >>
Dimensions and Tolerances for Proof Barrels
see Appendix CR 1.**CARTRIDGE MAXI****Lengths**

L1	=		
L2	=		
L3 ¹⁾	=	19.15	-0.25
L4	=		
L5	=		
L6	=	29.69	

Case Head

R	=	1.27	
R1	=	9.96	
R3	=		
E	=	2.98	
E1	=	8.79	
e min	=	0.90	
delta	=	35°	
f	=	0.30	
beta	=	45°	

Powder Chamber

P1	=	9.93	
P2	=		

Junction Cone

alpha	=		
S	=		
r1 min	=		
r2	=		

Collar

H1	=		
H2 ¹⁾	=	9.65	

Projectile

G1 ¹⁾	=	9.03	
G2	=		
F	=		
L3+G ¹⁾	=	22.50	

Pressures (Energies)**Method Transducer**

Pmax	=	2350 bar	
PK	=	2703 bar	
PE	=	3055 bar	
M	=	12.50	

Miscellaneous Dimensions

Fe ¹⁾⁶⁾	=	0.30	
delta L	=		

CHAMBER MINI**Lengths**

L1	=		
L2	=		
L3 ¹⁾	=	19.15	

Breech

R	=		
R1	=	10.00	
R2	=		
R3	=		
r	=		

Powder Chamber

E	=	2.98	
P1 ¹⁾	=	9.96	
P2	=		

Junction Cone

alpha	=		
S	=		
r1 max	=		
r2	=		

Collar

H1	=		
H2 ¹⁾	=	9.68	

Commencement of Rifling

G1 ¹⁾ *	=	9.05	
G ¹⁾ *	=	3.35	
alpha1	=	180°	
h	=		
s	=		
i ¹⁾	=	1°57'57"	
w	=		

Barrel

F ¹⁾ *	=	8.82	
Z ¹⁾	=	9.02	

Grooves

b	=	2.49	
N	=	6	
u	=	250.00	
Q	=	62.61	mm ²

Notes: 1) Check for safety reasons
6) Headspace on Case Mouth
* Basic dimensions